



FERRY COUNTY
DEPARTMENT OF PUBLIC WORKS
350 E. DELAWARE # 8 ◦ REPUBLIC, WA 99166
(509) 775-5225 X 5 ◦ FAX: (509) 775-5226

TROY REYNOLDS, DIRECTOR of PUBLIC WORKS
ROBERT BRESHEARS, P.E., COUNTY ENGINEER

INVOICE

Permit Application (check box below for type)

Road Approach Utility Work on County Right of Way

\$50.00 Application fee due when application is submitted.

Date submitted: _____ Permit # _____

Name: _____

Date paid: _____ Receipt #: _____

INSTRUCTIONS

Enclosed is a permit application for:

Road Approach Utility Work on County Right of Way

On to or crossing a Ferry County road. This application must be approved by the Ferry County Engineer/Director before construction may begin.

Please follow these steps:

1. Mark the proposed location with flagging so County knows exactly where you wish to impact the county road.
2. Submit the application, along with the \$50.00 fee; include a vicinity map with the location highlighted.
3. Please make sure you include a contact phone number and indicate the date you would like to begin construction. Allow up to two weeks for application approval.
4. The County will inspect the site and determine if the proposed work meets the County standards for requested activity.
5. After you receive the application signed by the County Engineer/Director, you may begin construction.
6. When you have finished construction, notify this office for final inspection. If all criteria has been met a final approval will be mailed to you, if criteria has not been met you will be contacted.

NOTE: The following information and submittals are required to complete the application:

- Road Name, Number and mile Post
- Assessor Parcel
- Township, Range, Section Numbers
- Vicinity Map and typical roadway section
- Flag Location

If you have any questions or concerns, please contact the office



FERRY COUNTY
DEPARTMENT OF PUBLIC WORKS
350 E. DELAWARE #8 ° REPUBLIC, WA 99166
(509) 775-5225 x 5 ° FAX: (509) 775-5226

APPLICATION FOR UTILITY PERMIT AND TO PERFORM WORK ON COUNTY RIGHTS-OF-WAY

Permit No. _____

Please print legibly or type in the blanks.

NAME OF APPLICANT: _____ DATE: _____

The undersigned hereby applies for permission to: _____

Pursuant to franchise number _____ dated _____.

The estimated time required for completion of the above work is _____ which the applicant agrees to prosecute with all diligence and speed with due regard for the rights, interests and conveniences of the public.

Applicant further agrees to perform the work in strict compliance with the provisions enumerated below and states he/she has read and will adhere to the general provisions applicable to permits contained on the following pages.

ADDRESS: _____ PHONE: _____

SIGNED: _____ BY: _____

TITLE: _____ APPLICANT JOB NUMBER: _____

PERMIT

Subject to the terms, conditions and provisions written or printed below or on any part of this form.

PERMISSION IS HEREBY GRANTED the above applicant to: _____

A bond in the amount of _____ is required to insure compliance with the above condition, said bond to be kept in full force and effect for the period of _____ years following completion of work authorized by this permit. No work shall be done under this permit until the party or parties to whom it is granted shall have communicated with and received instructions from _____ phone _____.

This permit shall be void unless the work herein authorized shall have been completed by _____.

APPROVED BY: _____ DATE _____

NOTE: It is the responsibility of the applicant to notify all utilities and private property owners when such property is liable to injury or damage through the performance of the work, the applicant shall make all necessary arrangements relative to the protection of such property and/or utilities.

INSTRUCTIONS FOR APPLICANTS

Applicants for permits to occupy county property with utilities, or holders of granted franchise rights contemplating work upon, along, over, under or across any county road, bridge, wharf, trestle, public place, street, avenue or alley on property in the County, shall first file with the County Engineer, his or their application to do such work.

Such applications shall be accompanied by drawings and details sufficient to describe the proposed work. Drawings shall be to a working scale, showing position and location of work, names or numbers and width of roads, streets, etc., showing their location in plats, or subdivisions of sections, township and range, showing the relative position of such work to existing utilities, constructed, laid, installed or erected upon such roads, streets or public places.

The applicant shall specify the type of construction by submitting plans showing the class of material and the manner in which the work is to be accomplished. All such materials and equipment shall be of the highest quality and the manner of excavation, fills, construction, installation, erection of temporary structures, traffic turnouts, road obstruction, barricades, etc., shall meet with provisions of the County Utility Accommodation Policy (WAC 136-40), and shall require approval by the County Engineer. Signing, barricades and traffic control in the vicinity of the work shall strictly conform to provisions of "The Manual on Uniform Traffic Control Devices for Streets and Highways" as amended by the State of Washington. The applicant shall pay to the County all costs of, and expenses incurred in the examination, inspection and supervision of such work on account of the granting of said permits.

The actual location of the work to be done under this permit, its depth below or above surface or grade of any County structure, road, street, avenue, alley or public place shall be approved by the County Engineer before any work shall be done by the applicant.

PERMIT CONDITIONS

1. The applicant, designated herein as the permittee, his successors and assign, shall have the right and authority to enter upon the right of way of the County road, street, alley, public place or structure as indicated on the front of this form, for the purpose of doing such work as applied for and approved by the County Engineer.
2. The location, type of work, materials and equipment used, manner of erection or construction, safeguarding of public traffic during work or after doing same, mode of operation and manner of maintenance of project petitioned for, shall be approved by the County Engineer prior to start of work and shall be subject to the inspection of the county Engineer so as to assure proper compliance with the terms of this permit.
3. The permittee shall commence work within 30 days after the granting of this permit. If, at end of six (6) months after date of granting same the permittee shall have not completed the installation, then the rights herein conferred shall cease and terminate.
4. The permittee shall leave all roads, streets, alleys, public places, and structures after installation and operation or removal of utility, in as good and safe a condition in all respects as same were in before commencement of work by permittee.
5. In case of any damage to any roads, streets, public places, structures or public property of any kind on account of said work by the permittee, he will at once repair said damage at his own sole cost and expense.
6. The County Engineer, his agents or representatives may do, order, or have done any and all work considered necessary to restore to a safe condition any street, alley, public place or structure which is in a condition dangerous to a life or property resulting from the Permittee's facility or its installation as permitted misted herein, and upon demand the permittee shall pay to the County all costs of such work and material.

Ferry County Utility and Perform Work on County Rights-of-way Permit

7. If at any time the County deems it advisable to widen, grade, regrade, plank, pave, improve, alter or repair any road, street public place or structure, the permittee upon written notice by the County Engineer, his representatives or agents, will at his own sole cost and expense, raise, lower, change, move or reconstruct such installations to conform to the plans of work contemplated or ordered by the County.

8. If upon written notice by the County Engineer the permittee fails to relocate any portion or all of the project as granted under this permit, the County, its agents or representatives may do any work at the cost and expense of the permittee, and all costs to remove or reconstruct same, shall be borne by the permittee.

9. All such changes, reconstruction or relocation by the permittees shall be done in such manner as will cause the least interference with any of the County's work and shall be subject to the same provisions which control an original installation. The County shall in no wise be held liable for any damage to the permittee by reason of any such work by the County, its agents or representatives, or by the exercise of any rights by the County upon roads, streets, public places or structures in question. The permittee shall have twenty-four (24) hours written notice by the County Engineer or his representatives or agents of any blasting contiguous to the permittee's permit rights in order that he may protect his interests.

10. This grant or privilege shall not be deemed or held to be an exclusive franchise, nor prohibit the County from granting other permits or franchise rights of like or other nature to other public or private utilities, nor shall it prevent the county from using any of its roads, streets, public places for any and all public use, or affect its jurisdiction over all or any part of them.

11. All the provisions, conditions, regulations and requirements herein contained shall be binding upon the successors and assigns of the permittee and all privileges of the permittee shall inure to such successors and assigns as if they were specifically mentioned.

12. The County Engineer may revoke, annul or terminate this permit if permittee fails to comply with any or all of its provisions, requirements or regulations as herein set forth or through willful or unreasonable neglect, fails to heed or comply with notices given him or if the work herein permitted, is not installed or operated and maintained in conformity herewith or at all.

13. The Board of County Commissioners may at any time, change, amend, modify, amplify or terminate any of the conditions herein enumerated so as to conform to any state statute or county regulation pertaining to the public welfare, safety, health or highway regulations as are, or may hereinafter be enacted, adopted or amended, etc. The Board may terminate this permit if permittee fails to comply with any such changes.

14. Applicant by accepting this permit agrees to notify and check with all utilities regarding their installations before commencing work, together with private property owners when such property is liable to injury or damage through the performance of such work, and the applicant shall make all necessary arrangements relative to the protection of such property and/or utilities.

15. In accepting this permit the applicant, his successors and assigns, agrees to protect and save harmless the County from all claims, actions or damages of every kind and description which may accrue to or be suffered by any person or persons, corporation or property by reason of the performance of any such work, character of materials used or manner of installation, maintenance and operation or by the improper occupancy of rights of way or public place or public structure and in case any such suit or action is brought against said County for damages arising out of or by reason of any of the above causes, the applicant, his successors or assigns will upon notice to him or them or commencement of such action defend the same at his or their sole cost and expense and will fully satisfy any judgment after the said suit or action shall have finally been determined if adversely to the county.

Ferry County Utility and Perform Work on County Rights-of-way Permit

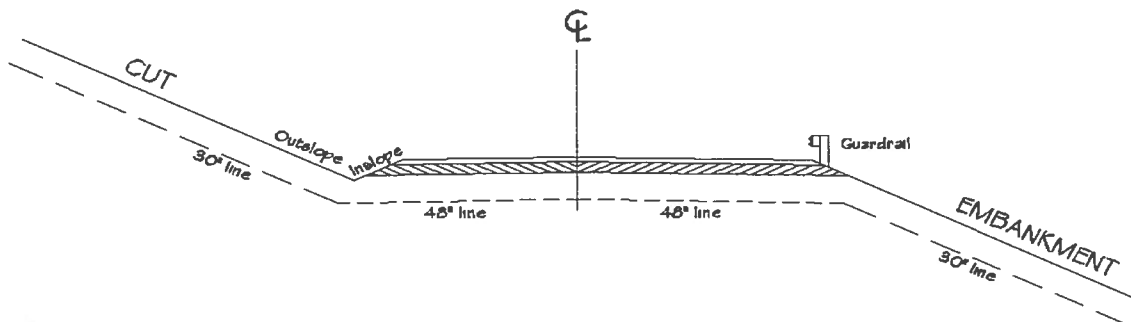
The Permittee agrees to all of the following:

- 1.) Ferry County has the ultimate responsibility to insure that utility cuts are properly made and road structures are properly, timely and safely restored and that all road impacts are properly mitigated.
- 2.) Permittee is required to first determine what underground utility facilities are in the area where digging will be done and correlate and obtain permits or approvals as necessary prior any digging.
- 3.) Proper signing of the work site is the responsibility of the Permittee and must be accomplished prior to any work in accordance with the Manual on Uniform Traffic Control Devices (MUTCD) in order to insure the safe flow of traffic. Signs and devices must not misinform and misguide the public. At no time may the Permittee close the county roadway. When work is not being performed and the Permittee and/or his contractor is not present, the roadway must be open to two way traffic, even when rerouted.
- 4.) All crossing of paved county roads must be accomplished by either boring under the roadway or suspended over the roadway. If the utility is suspended over the roadway it shall conform to the National Electrical Safety Code or the following conditions whichever is the greater of the two conditions:

Communications	24 feet
Electrical 0-750 volts	24 feet
Electrical 751-15,000 volts	30 feet
Electrical 15,001-50,000 volts	32 feet
Electrical 50,000 volts and over	34 feet

Any other utility wishing to suspend the utility over the roadway must contact the Ferry County Engineer's office for direction.

- 5.) Trenching is acceptable through gravel surface roads providing Permittee accomplishes a durable, smooth, prompt and safe restoration. The Permittee is to rebuild the disturbed portion of the road by replacing the sub grade, base course and surface. The restored road should blend with the surrounding surface both in appearance and riding quality. Permittee utility cut backfill must be compacted to 95% of maximum density, as determined by standard proctor tests. Proper compaction must be achieved and requires that each loose lift of backfill material be separately compacted as it is placed until the final lift reaches the elevation at the top of the sub grade. Backfill material should match the subgrade material of the rest of the roadway (assuming the latter is suitable) unless specifically approved otherwise in writing. Usable backfill includes granular materials, sand and cement – stabilized sand. Large rocks, debris, cobblestones, bricks, railroad ties and other remnants of buildings, abandoned utilities, frozen lumps of earth etc. are not acceptable back fill materials. Soil backfill is required to be placed in layers, or lifts, typically with a loose depth of one half foot (six inches). Moisture content of the backfill material will affect compaction and density. It may be necessary to moisten the material before it is placed in the trench to accomplish the required compaction.
- 6.) The manual on Uniform Traffic Control Devices (MUTCD), Part 6, of the U.S. DOT Federal Highway Administration requires smooth and safe traffic control through utility work zones; protecting not only vehicles and their occupants, but also pedestrians, workers, and the utility facilities. Required traffic control referred to above is the responsibility of the Permittee.
- 7.) Trenching that runs parallel to or crosses a county road must conform to the schematic and directions below:



Ferry County Utility and Perform Work on County Rights-of-way Permit

- A. All utilities, except water lines, will be buried to a depth of at least 30" when placed on a CUT outslope, or an EMBANKMENT.
 - B. All utilities, except water lines, will be buried to a depth of at least 48" when crossing below the roadway itself and these utilities will be placed in conduit.
 - C. All utilities, except water lines, will be buried to a depth of at least 42" when placed where the Outslope meets the Inslope (Bottom of Ditch).
 - D. All utilities will be placed at least 24" behind guardrail unless crossing underneath guardrail.
 - E. All water lines will be buried to a depth of not less than 60" and if under the roadway will be placed in steel casing.
 - F. Any surface disturbance must be restored as referred to above.
 - G. Overhead utilities running parallel to the roadway must comply with the National Electrical Safety Code or with the clearances shown below whichever is greater, measured from the ground immediately below the utility:

Communications	20 feet
Electrical 0-750 volts	24 feet
Electrical 751-15,000 volts	27 feet
Electrical 15,001-50,000 volts	32 feet
Electrical 50,000 volts and over	32 feet
 - H. Trenches shall be backfilled as soon as possible behind the laying of pipe or cable. No open trenches shall be left overnight. This includes boring or jacking pits which shall be covered to sufficient strength to withstand the load of highway traffic if the pit is not to be backfilled with material each night.
- 8.) The utility must be routed at least 8 feet (in any direction) away from any culverts, cattle guards, bridges or other types of conduit and at least 36 inches below any culverts, cattle guards, bridges or any other type of conduit.
 - 9.) Any damage to the asphalt or surface of the applicable county roads will be restored to former appearance and condition at a minimum. Any survey monuments, signs, fence, culvert, guardrail or cattle guard disturbed during the course of work conducted under this permit will be reset or replaced to the satisfaction of Ferry County Public Works at the cost of the Permittee.
 - 10.) If settling occurs after the boring or trenching, Permittee agrees to repair or replace asphalt, road base, gravel or any other related roads materials to a standard that equals or exceeds the condition that existed prior to the boring and/or trenching project.
 - 11.) All work in progress is subject to random inspection and approval of Ferry County. A fee may be imposed for inspections.
 - 12.) Ferry County may order rework of an area or backfill if such is not or has not been accomplished according to the conditions set forth in this permit.
 - 13.) Failure of the Permittee to properly restore the road in a timely manner, as referred to above or as otherwise required by Ferry County, will result in Ferry County making or contracting such repairs and the Permittee agrees to pay all costs of mitigating such impacts.
 - 14.) If the Permittee has not installed the utility in accordance with the conditions of this permit and Ferry County accidentally damages the utility during the normal course of business, the Permittee agrees to hold Ferry County harmless and to make any repairs at the Permittee expense.
 - 15.) Ferry County may require appropriate construction / performance bonds to insure compliance with the requirements set forth by Ferry County and to indemnify the cost of repair of any excavated, disturbed or reclaimed areas, before the digging begins.

Ferry County Utility and Perform Work on County Rights-of-way Permit

- 16.) The Permittee, if using a sub- contractor to install the utility, shall fully inform and educate the sub-contractor of the terms of this permit and require the sub-contractor to follow such terms in fulfilling said contract.
- 17.) If future conditions warrant Ferry County to require relocation of the utility, such as in the event of widening the county road or some other safety factor, the Permittee agrees to relocated the utility and bear all costs of relocating the utility within a reasonable time period as required by Ferry County.
- 18.) If required by Ferry County the Permittee shall provide a water truck and apply water to the road for dust control and safety purposes during construction.
- 19.) Notwithstanding the expiration of this instrument, early relinquishment, abandonment, or termination, the provisions of this instrument, to the extend applicable, shall continue in effect and shall be binding to the holder, its successors, or assigns, until they have fully satisfied the obligations and /or liabilities accruing herein before or on account of the expiration, or prior termination of the utility permit.
- 20.) The stipulations, plans, maps or designs attached hereto, labeled and dated: _____are incorporated into and made a part of this instrument as fully and effectively as if they were set forth herein in their entirety.
- 21.) Failure of the holder to comply with applicable law or any provision of this utility permit shall constitute grounds for suspension or termination of this utility permit.
- 22.) Upon termination by the Permittee or by Ferry County, all improvements shall be removed from Ferry County Right of Way within 90 days or otherwise disposed of as directed by Ferry County.
- 23.) Notice of intent to start work shall be provided to Ferry County at least 48 hours before work included under this permit begins.
- 24.) A copy of this permit shall be provided to contractors or subcontractors performing construction and shall be onsite at all times during construction.
- 25.) Any Performance Bond required by Ferry County shall be made payable to Ferry County Public Works and shall be approved by and be in the possession of Ferry County Public Works prior to the beginning of work.

Will a performance bond be required? Yes No

Performance bond amount required: \$ _____

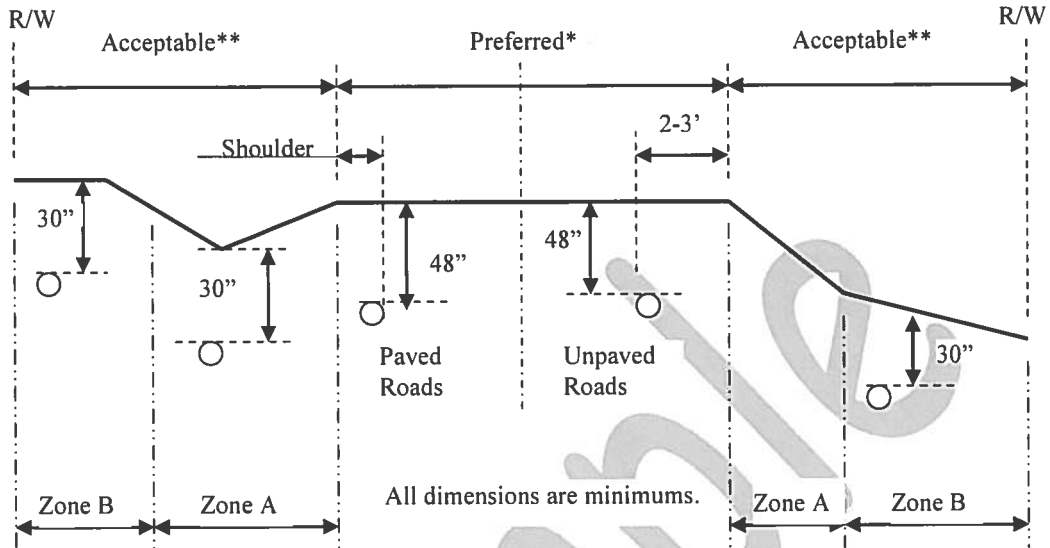
Inspection Fees may also be required and due and payable to Ferry County Public Works before any work covered in this permit may commence. The fees shall be billed out according to the costs incurred by Ferry County Public Works.

A deposit may be required to cover the inspection costs incurred by Ferry County Public Works. If the deposit does not cover the full cost of inspection services required Ferry County Public Works will bill the Permittee for the difference. Failure to pay the difference within 60 days will void this permit. If the deposit is more that the cost incurred by Ferry County Public Works while providing inspection services for this permit, the difference will be provided to the Permittee within 60 days.

All pages of this permit and accompanying drawings / plans must be returned with appropriate signatures in order to be a valid permit.

Ferry County Department of Public Works
 Typical Buried Utility Requirements

Longitudinal Detail



* Includes shoulders and all traffic lanes

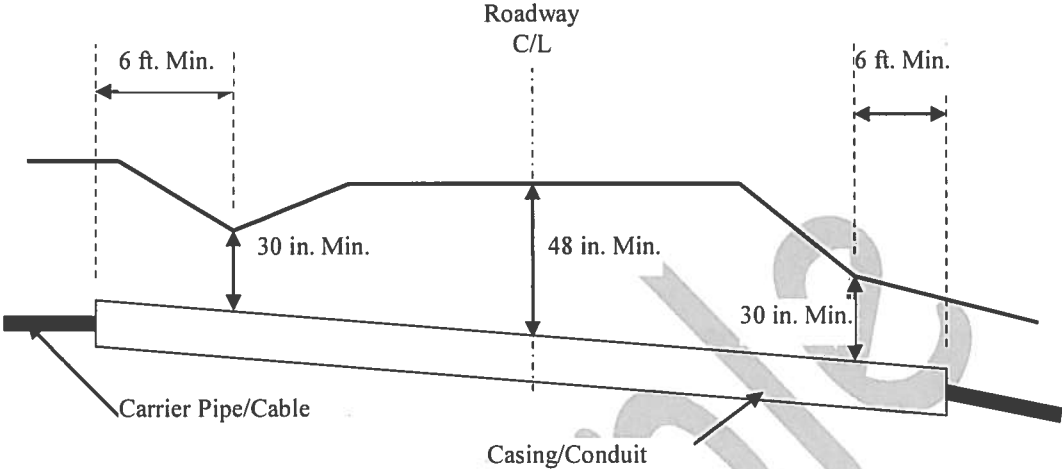
**Uniform alignment and grade as near as practicable to the right-of-way line.

Zone A is the area within the inslope (foreslope) and backslope where routine maintenance operations generally occur. This area is defined as five (5) feet beyond the bottom of the ditch or fifteen (15) feet beyond the shoulder of the road whichever is further.

Zone B is the area outside of the roadway and Zone A.

Ferry County Department of Public Works
Typical Buried Utility Requirements

Typical Crossing Detail

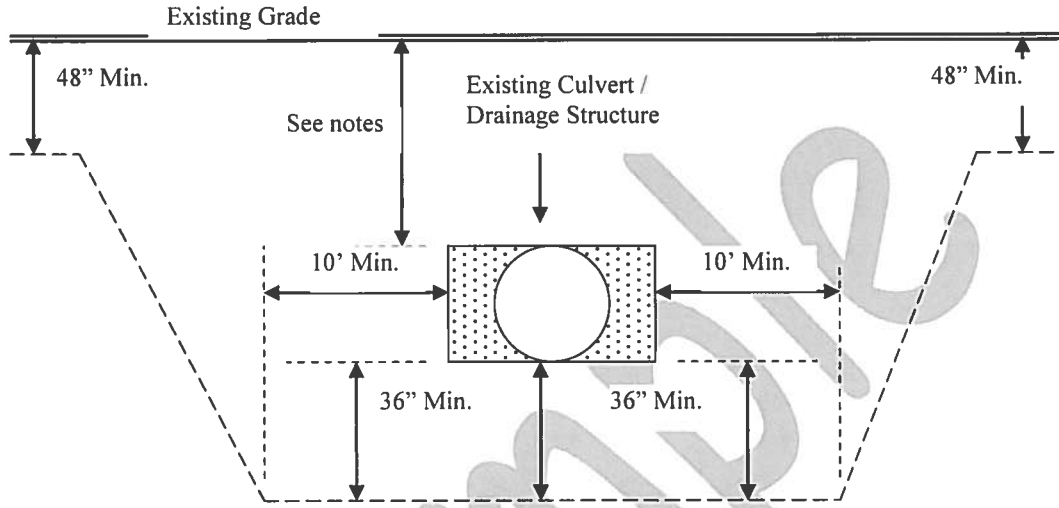


- Notes: Casing/conduit required to be a minimum of 2" larger than carrier pipe/cable.
Drains, if needed, should connect to a suitable drainage course.
Casing/Conduit shall extend past ditchline and toe of slope.
Casing/Conduit shall be sealed and vented near R/W line if required.

Exam

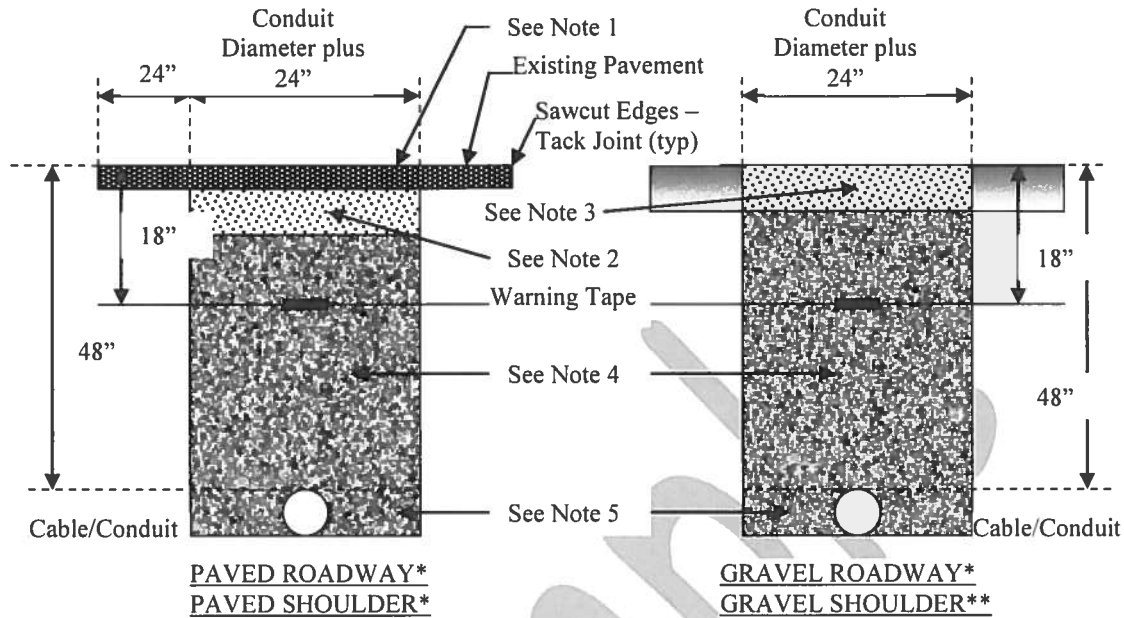
Ferry County Department of Public Works
Typical Buried Utility Requirements

Transition Under and Around Existing Drainage Facilities



- Notes:
1. The cable shall be placed to a minimum depth of thirty six (36") inches below the bottom elevation of all existing culverts and drainage structures with less than forty eight (48") inches of cover.
 2. The thirty six (36") minimum depth shall be maintained for a minimum distance of ten (10') feet past both outer edges of all existing culverts and drainage structures.
 3. The cable can be placed over culverts and drainage structures with more than forty eight (48") inches of cover and shall maintain the minimum of forty eight (48") inch depth.

Ferry County Department of Public Works
Typical Trench Detail



General Notes:

1. Asphalt concrete pavement with minimum compacted depth of three (3") inches, or match existing pavement depth (whichever is greater). Place in lifts with a maximum compacted depth of three (3") inches per WSDOT Specifications and machine roll flush with existing pavement.
2. Crushed Surfacing Top Course with four (4") inches minimum compacted depth.
3. Crushed Surfacing Top Course with four (4") inches minimum compacted depth.
4. 3" Minus imported or native material meeting or exceeding WSDOT Standard Specifications for Gravel Base compacted in maximum eight (8") inches loose lifts to 95% maximum density; any native material used shall be tested for compaction and/or gradation as required by the Engineer.
5. Bedding material per WSDOT Standard Specification for Pipe Zone Bedding compacted to 95% maximum density. Depth of material surrounding pipe shall be adequate to support the pipe and trench.
6. Neat, uniform and vertical cut (typical both sides), clean and neat edges and tack with emulsified asphalt. Seal joint with hot asphalt cement.
7. Minimum restoration limits unless otherwise determined by the Engineer. If any portion of a longitudinal pavement cut affects a wheel track as determined by the Engineer, the entire lane shall be removed and replaced.
8. Contractors are required to meet all WSDOT and Ferry County Standards for trench and asphalt surfacing.

*Note: Compaction of pipe backfill shall be completed by mechanical tamper in lifts not to exceed eight (8") inches for base; four (4") inches for surfacing; and to obtain at least 95% maximum density. In place density shall be determined by ASTM D-1557. Compaction testing and moisture control will be determined by the nuclear method ASTM D-2922. Testing frequency and location will be as directed and at the discretion of the county inspector assigned to the project. Compaction test reports shall be submitted to the County Engineer.

**Note: Compaction of utility backfill shall be compacted by wheel rolling in lifts not to exceed eight (8") inches.